

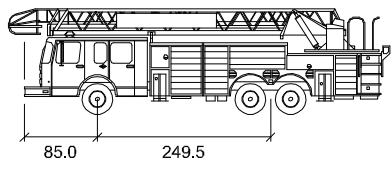
SCALE: 1"=10'

SCALE: 1"=20'

SCALE: 1"=30'

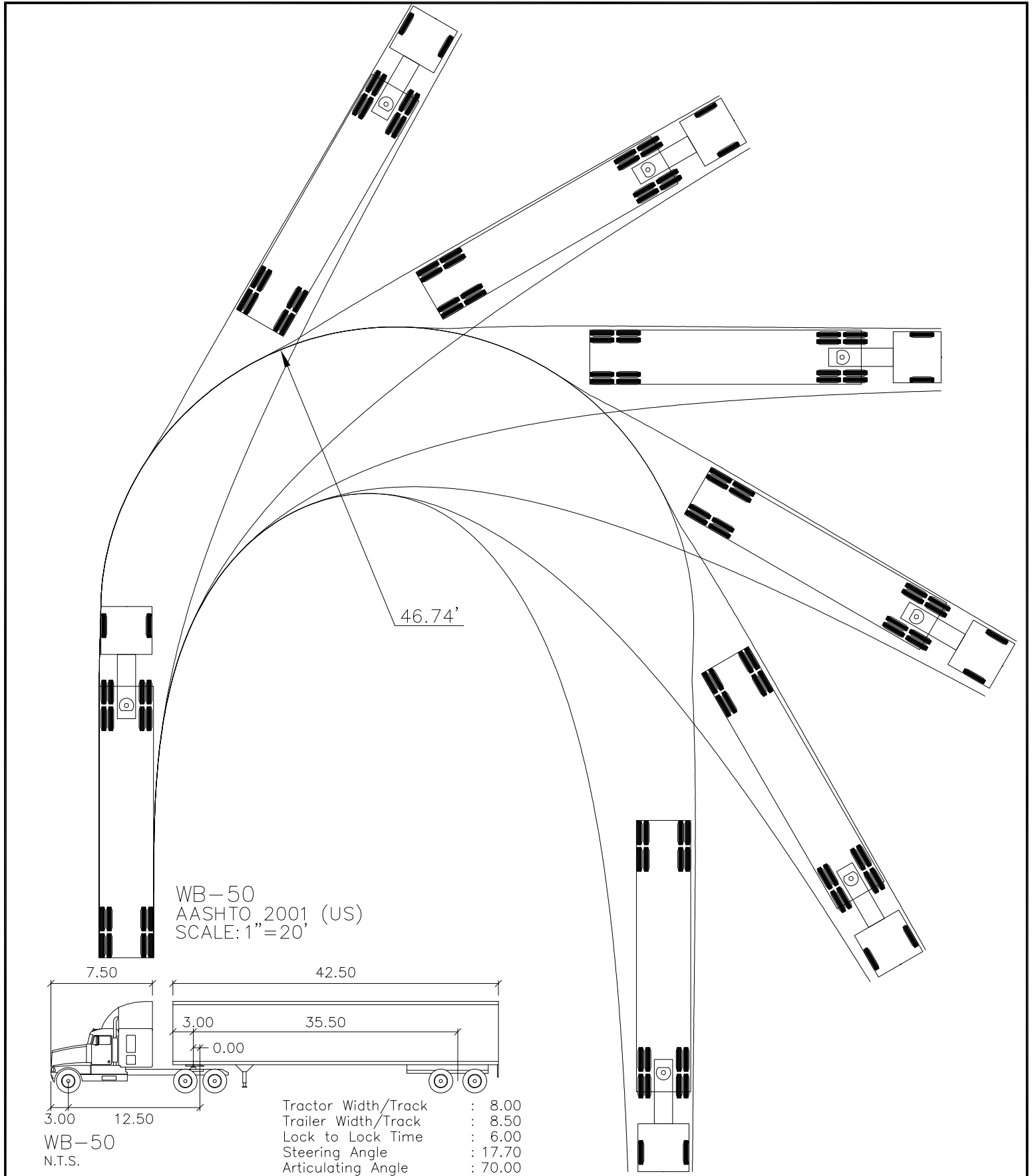
SCALE: 1"=40'

SCALE: 1"=50'



inches

Track	:	82.9
Lock to Lock Time	:	6.0
Steering Angle	:	45.0



ORIGINAL SHEET - ANSI A



Stantec

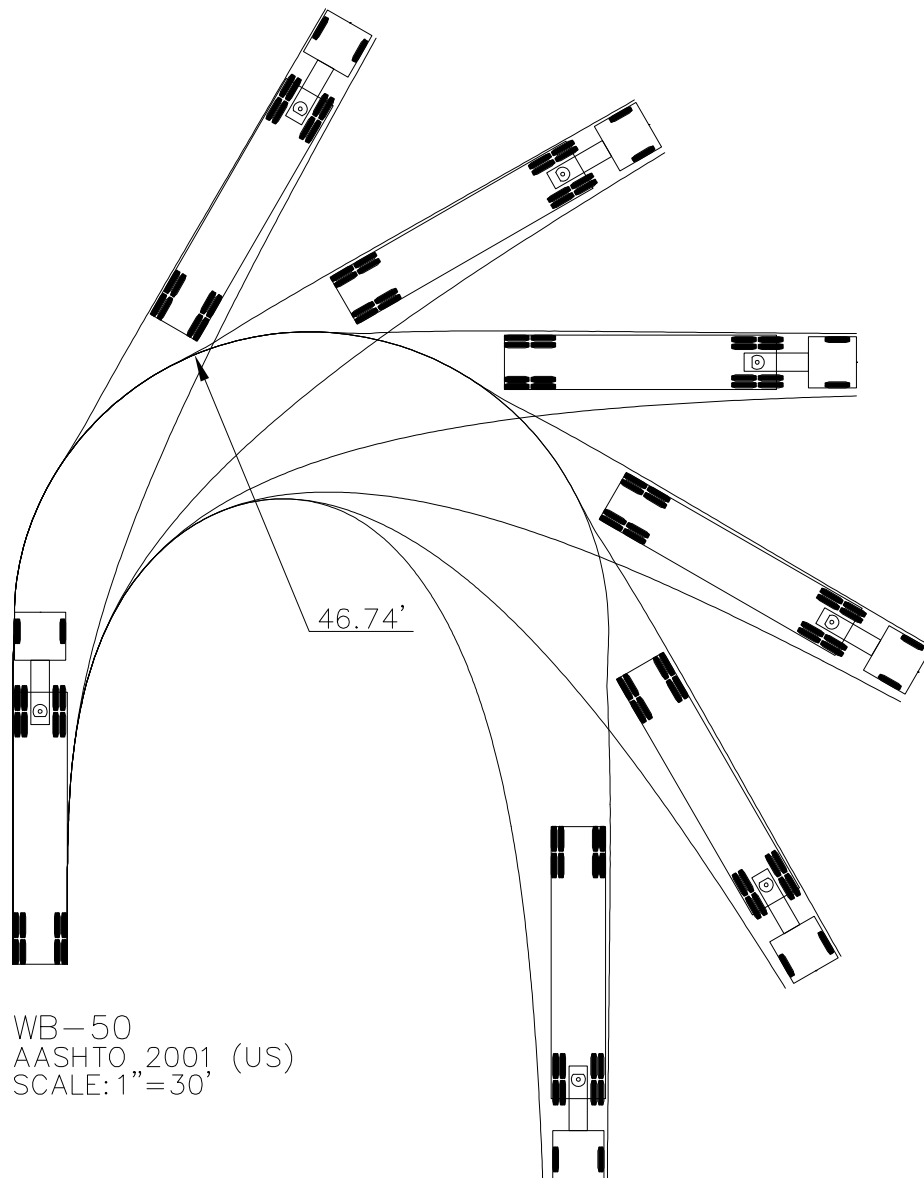
3754 Ranchero Dr.
Ann Arbor MI U.S.A.
48108-2771

Tel. 734.761.1010 www.stantec.com

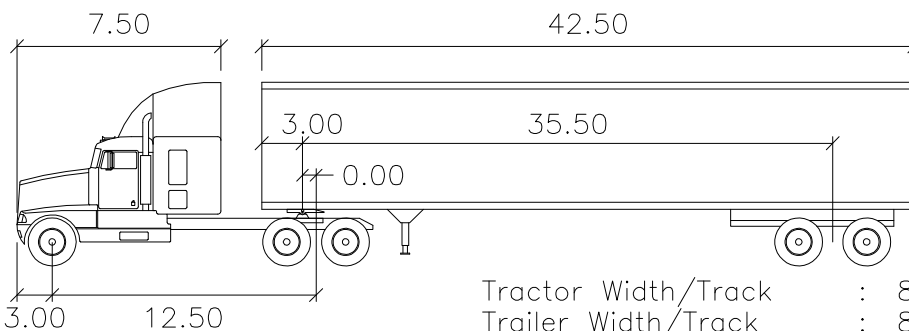
Title

WB-50 TURNING TEMPLATE

APRIL, 2014



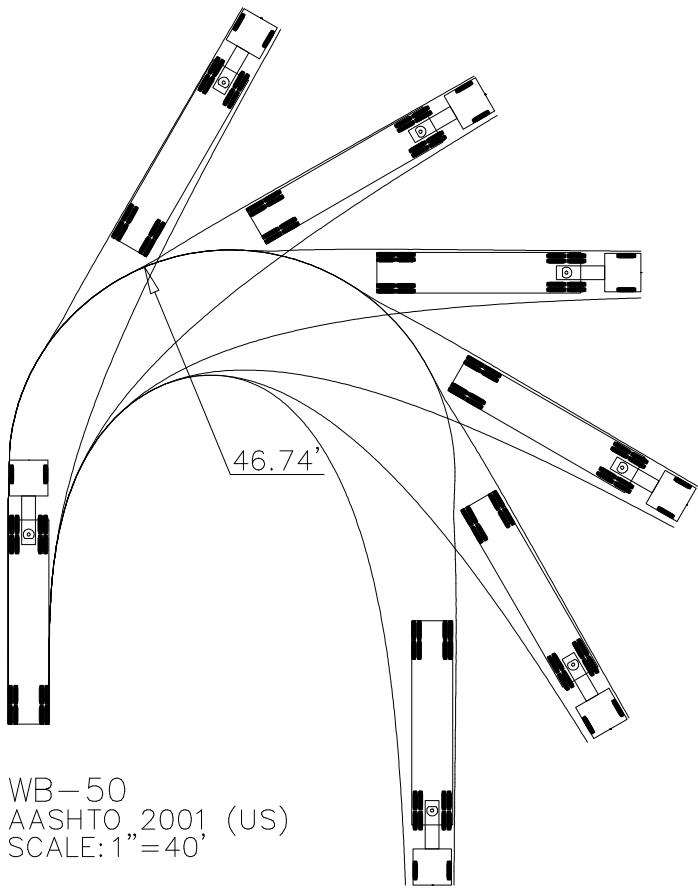
WB-50
 AASHTO, 2001 (US)
 SCALE: 1" = 30'



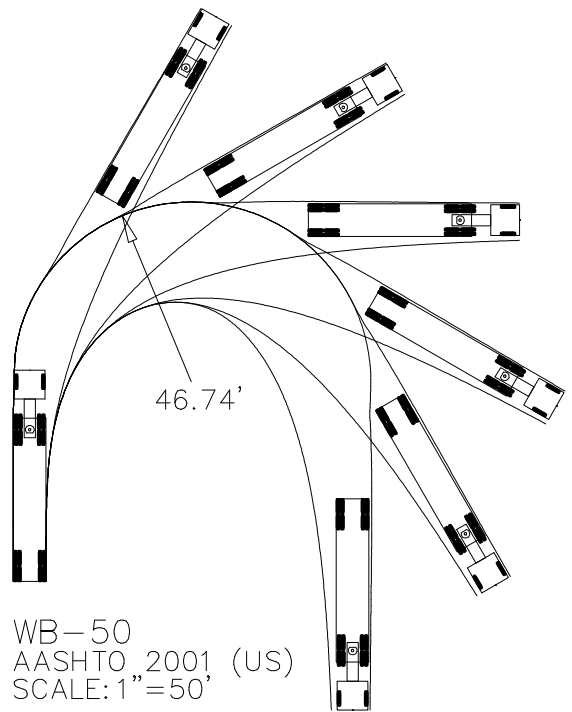
WB-50
 N.T.S.

Tractor Width/Track	:	8.00
Trailer Width/Track	:	8.50
Lock to Lock Time	:	6.00
Steering Angle	:	17.70
Articulating Angle	:	70.00

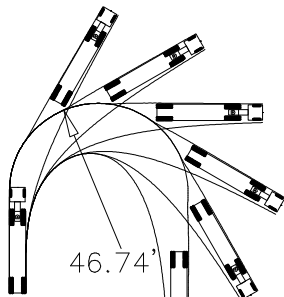




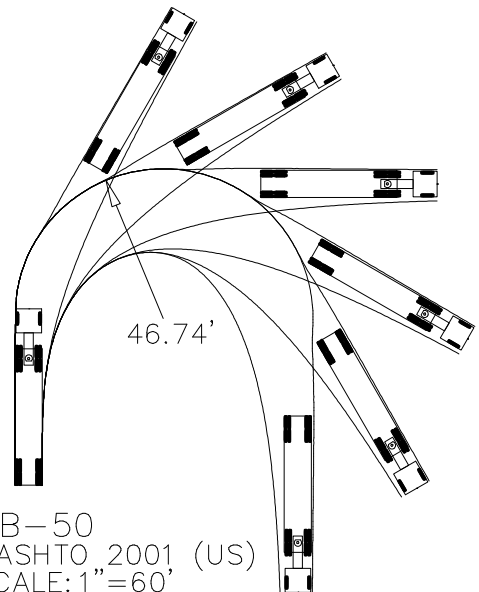
WB-50
AASHTO 2001 (US)
SCALE: 1"=40'



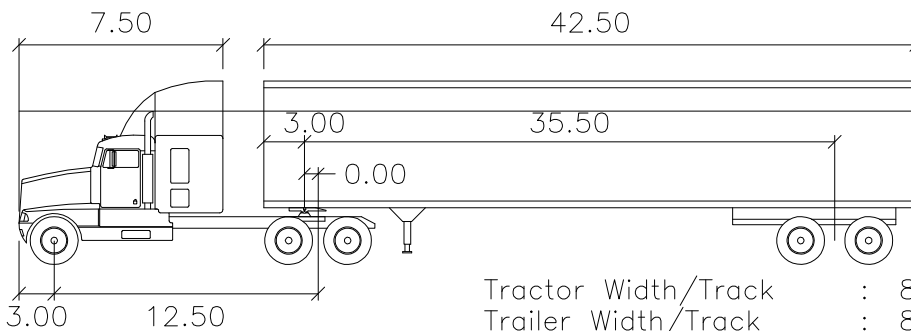
WB-50
AASHTO 2001 (US)
SCALE: 1"=50'



WB-50
AASHTO 2001 (US)
SCALE: 1"=100'



WB-50
AASHTO 2001 (US)
SCALE: 1"=60'



WB-50
N.T.S.

Tractor Width/Track	: 8.00
Trailer Width/Track	: 8.50
Lock to Lock Time	: 6.00
Steering Angle	: 17.70
Articulating Angle	: 70.00

